

Lin
den

CONTRACT FURNITURE



logan

sofa

technical sheet

Linden is a contract furniture
brand by Žakelj d.o.o.



Žakelj d.o.o.
Goropeke 01
4226 Žiri
Slovenia

year 2017
publisher **Žakelj d.o.o.**
furniture design by **Grupo H d.o.o.**

collection	element	legs	size	product code
logan	sofa	– wood	160	logan SOFA W 160 logan SOFA S 160
		– steel	160	
				width: 160 cm 63 in depth: 80 cm 32 in height: 77 cm 30 in seat height: 42 cm 17 in seat depth: 60 cm 24 in

collection	element	legs	size	product code
logan	sofa	– steel	220	logan SOFA S 220 logan SOFA W 220
		– wood	220	
				width: 220 cm 87 in depth: 80 cm 32 in height: 77 cm 30 in seat height: 42 cm 17 in seat depth: 60 cm 24 in

collection	element	legs	size	product code
logan	chaise lounge	– wood	160	logan CL W 160 L/R logan CL S 160 L/R
		– steel	160	
				width: 160 cm 63 in depth: 80 cm 32 in height: 77 cm 31 in seat height: 42 cm 17 in seat depth: 60 cm 24 in
				orientation: left L / right R

collection	element	legs	size	product code
logan	chaise lounge	– wood	220	logan CL W 220 L/R logan CL S 220 L/R
		– steel	220	
				width: 220 cm 87 in depth: 80 cm 32 in height: 77 cm 30 in seat height: 42 cm 17 in seat depth: 60 cm 24 in
				orientation: left L / right R

collection	element	legs	size	product code
logan	foot stool	– wood	80	logan FS W 80 logan FS S 80
		– steel	80	
				width: 80 cm 32 in depth: 80 cm 32 in height: 42 cm 17 in seat height: 42 cm 17 in seat depth: 80 cm 32 in

collection	element	legs	size	product code
logan	foot stool	– wood	160	logan FS W 160 logan FS S 160
		– steel	160	
				width: 160 cm 63 in depth: 80 cm 32 in height: 42 cm 17 in seat height: 42 cm 17 in seat depth: 80 cm 32 in

collection	element	legs	size	product code
logan	middle	– wood	80	logan MID W 80 logan MID S 80
		– steel	80	
				width: 80 cm 32 in depth: 80 cm 32 in height: 77 cm 31 in seat height: 42 cm 17 in seat depth: 60 cm 24 in

collection	element	legs	size	product code
logan	middle	– wood	160	logan MID W 160 logan MID S 160
		– steel	160	
				width: 160 cm 63 in depth: 80 cm 32 in height: 77 cm 31 in seat height: 42 cm 17 in seat depth: 60 cm 24 in

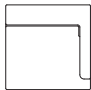
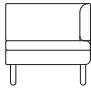


general notes & reminders


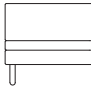


Fabrics and leathers – As we are the contract furniture brand, there are no standard fabric or leather selection. We kindly ask you to contact us for the full selection of the fabrics and leathers. When specifying fabrics or leathers, please mind the intended usage and fire regulations in country of installation/usage.

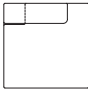


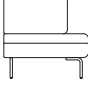
RAL colors – For small orders, our standard colors are: Traffic White - RAL9016, Graphite gray - RAL7024 and Jet black - RAL9005. For large orders a specific RAL color can be specified by the customer.

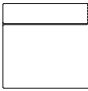
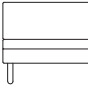

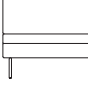
Wood finish – Every visible wood element can be specified as oak or ash with the clear protective coat. For large orders it is possible to specify custom wood finish.

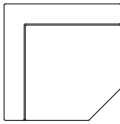
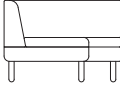
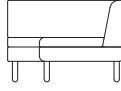
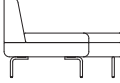
Customization – We are happy to customize our furniture to your exact specifications. Please note that for small orders of just few pieces it may not be advisable to fully customize the furniture. Before placing any customization request, we kindly ask you to consult customization sketches in this catalog under every collection, and technical drawings that can be found on our web page under "professional area" section. Throughout the process of ordering the customized furniture you will receive full support of our staff, but unless otherwise agreed, we are not responsible for the fit or functional issues that are resulted by your requested specifications.

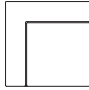
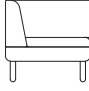


collection	element	legs	size	product code
logan	end	– wood	80	logan END W 80 L/R
		– steel	80	logan END S 80 L/R
				
width: 80 cm 32 in depth: 80 cm 32 in height: 77 cm 31 in seat height: 42 cm 17 in seat depth: 60 cm 24 in				
orientation: left L / right R				
				
				
				

collection	element	legs	size	product code
logan	end	– wood	160	logan END W 160 L/R
		– steel	160	logan END S 160 L/R
				
width: 160 cm 63 in depth: 80 cm 32 in height: 77 cm 31 in seat height: 42 cm 17 in seat depth: 60 cm 24 in				
orientation: left L / right R				
				
				
				

collection	element	legs	size	product code
logan	chaise lounge end	– wood	80	logan CL END W 80 L/R
		– steel	80	logan CL END S 80 L/R
				
width: 80 cm 32 in depth: 80 cm 32 in height: 77 cm 31 in seat height: 42 cm 17 in seat depth: 60 cm 24 in				
orientation: left L / right R				
				
				
				

collection	element	legs	size	product code
logan	chaise lounge end	– wood	160	logan CL END W 160 L/R
		– steel	160	logan CL END S 160 L/R
				
width: 160 cm 63 in depth: 80 cm 32 in height: 77 cm 31 in seat height: 42 cm 17 in seat depth: 60 cm 24 in				
orientation: left L / right R				
				
				
				

collection	element	legs	size	product code
logan	corner	– wood	110	logan CO W 110
		– steel	110	logan CO S 110
				
width: 110 cm 43 in depth: 110 cm 43 in height: 77 cm 31 in seat height: 42 cm 17 in seat depth: 80 cm 32 in				
				
				
				

collection	element	legs	size	product code
logan	corner	– wood	80	logan CO W 80
		– steel	80	logan CO S 80
				
width: 80 cm 31 in depth: 80 cm 31 in height: 77 cm 30 in seat height: 42 cm 17 in seat depth: 60 cm 24 in				
				
				
				

general notes & reminders

Fabrics and leathers – As we are the contract furniture brand, there are no standard fabric or leather selection. We kindly ask you to contact us for the full selection of the fabrics and leathers. When specifying fabrics or leathers, please mind the intended usage and fire regulations in country of installation/usage.

RAL colors – For small orders, our standard colors are: Traffic White - RAL9016, Graphite gray - RAL7024 and Jet black - RAL9005. For large orders a specific RAL color can be specified by the customer.

Wood finish – Every visible wood element can be specified as oak or ash with the clear protective coat. For large orders it is possible to specify custom wood finish.

Customization – We are happy to customize our furniture to your exact specifications. Please note that for small orders of just few pieces it may not be advisable to fully customize the furniture. Before placing any customization request, we kindly ask you to consult customization sketches in this catalog under every collection, and technical drawings that can be found on our web page under "professional area" section. Throughout the process of ordering the customized furniture you will receive full support of our staff, but unless otherwise agreed, we are not responsible for the fit or functional issues that are resulted by your requested specifications.

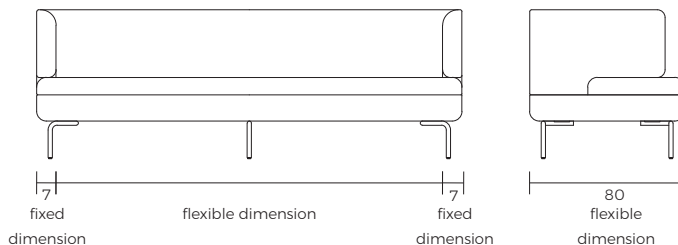
dimension

customizations & material options

Standard Logan sofa comes in customer specified range of fabric and leather materials. Legs are available in either steel or wood (oak or ash).

Customized Logan sofa can be made for large orders. Modifications are possible for overall dimensions of the furniture piece. The drawing below shows what dimensions

can be modified, and what parts have to remain unchanged. This applies also to the modular elements on the pages 12 and 13. Please mind the connection principle of the modular system. It is also possible to order custom colors for the steel legs or wood finish.



general

notes & reminders

Fabrics and leathers — As we are the contract furniture brand, there are no standard fabric or leather selection. We kindly ask you to contact us for the full selection of the fabrics and leathers. When specifying fabrics or leathers, please mind the intended usage and fire regulations in country of installation/usage.

RAL colors — For small orders, our standard colors are: Traffic White - RAL9016, Graphite gray - RAL7024 and Jet black - RAL9005. For large orders a specific RAL color can be specified by the customer.

Wood finish — Every visible wood element can be specified as oak or ash with the clear protective coat. For large orders it is possible to specify custom wood finish.

Customization — We are happy to customize our furniture to your exact specifications. Please note that for small orders of just few pieces it may not be advisable to fully customize the furniture. Before placing any customization request, we kindly ask you to consult customization sketches in this catalog under every collection, and technical drawings that can be found on our web page under 'professional area' section. Throughout the process of ordering the customized furniture you will receive full support of our staff, but unless otherwise agreed, we are not responsible for the fit or functional issues that are resulted by your requested specifications.